

Model:
MAS235T19F

Class:
Uniblock AS



Technical data

| Characteristics | M.U. | Value |
|---------------------|------------|----------|
| Working temperature | °C | +10 ÷ -5 |
| Starting mode | | Direct |
| Voltage | Volt-Ph-Hz | 220/1/60 |
| Refrigerant | | R404A |
| Defrost | | Hot gas |
| Mass | Kg | 162 |

Compressor

| | | |
|---------------|----|----------|
| Type | | Hermetic |
| Nominal power | kW | 2,2 |

Condenser

| | | |
|----------|------|------|
| Air flow | m³/h | 2700 |
|----------|------|------|

Evaporator

| | | |
|-----------|------|------|
| Air flow | m³/h | 3900 |
| Air throw | m** | 10 |

Power data

| Tc °C | Ta °C | P watt | P Kcal/h | V100 m³ | V80 m³ | V60 m³ |
|-------|-------|--------|----------|---------|--------|--------|
| | 20 | 9224 | 7933 | 136 | 124 | 113 |
| | 25 | 8552 | 7355 | 124 | 113 | 103 |
| 10 | 30 | 7853 | 6754 | 112 | 102 | 93 |
| | 35 | 7134 | 6135 | 100 | 91 | 83 |
| | 40 | 6401 | 5505 | 88 | 80 | 73 |
| | 45 | 5662 | 4869 | 76 | 69 | 63 |
| | 20 | 8017 | 6895 | 115 | 105 | 95 |
| | 25 | 7299 | 6277 | 103 | 94 | 85 |
| 5 | 30 | 6779 | 5830 | 94 | 86 | 78 |
| | 35 | 6325 | 5440 | 87 | 79 | 72 |
| | 40 | 5809 | 4996 | 78 | 71 | 65 |
| | 45 | 5100 | 4386 | 67 | 61 | 56 |
| | 20 | 6924 | 5955 | 97 | 88 | 81 |
| | 25 | 6303 | 5421 | 86 | 78 | 71 |
| 0 | 30 | 5834 | 5017 | 79 | 72 | 66 |
| | 35 | 5413 | 4655 | 72 | 66 | 60 |
| | 40 | 4935 | 4244 | 64 | 58 | 53 |
| | 45 | 4298 | 3696 | 54 | 49 | 45 |
| | 20 | 5844 | 5026 | 79 | 72 | 66 |
| | 25 | 5182 | 4457 | 68 | 62 | 56 |
| -5 | 30 | 4714 | 4054 | 61 | 56 | 51 |
| | 35 | 4344 | 3736 | 55 | 50 | 46 |
| | 40 | 3977 | 3420 | 49 | 45 | 41 |
| | 45 | 3516 | 3024 | 42 | 38 | 35 |

** Use air throw as a base. Air throw is affected by many factors such as height of room, product storage, location of evaporator, etc.
Tc: Coldroom temp. - Ta: External temp.
P: Refrigerant capacity - V: Recommended cold-room volume



XTCC

Xperts in Transportation Climate Control

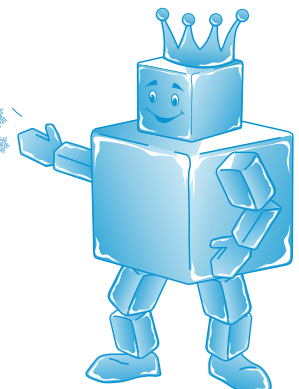
“Environmentally Friendly Solutions”

**REFRIGERATION/HEATING/INSULATION
SALES/SERVICE/INSTALLATION**

TEL : 905-362-2112 FAX : 905-362-2115

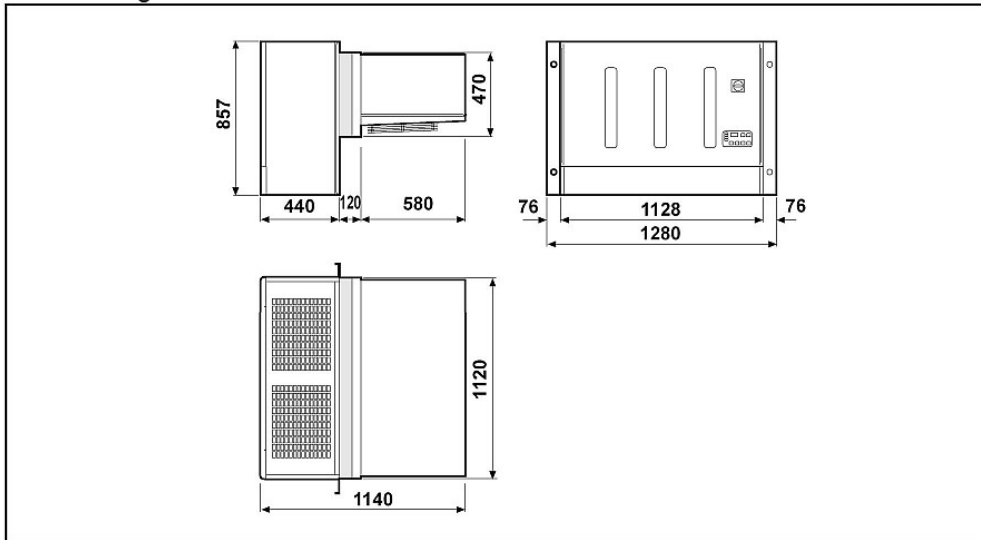
6198 Netherhart Road, Unit 2 Mississauga, ON. L5T 2G7

WWW.XTCC.CA

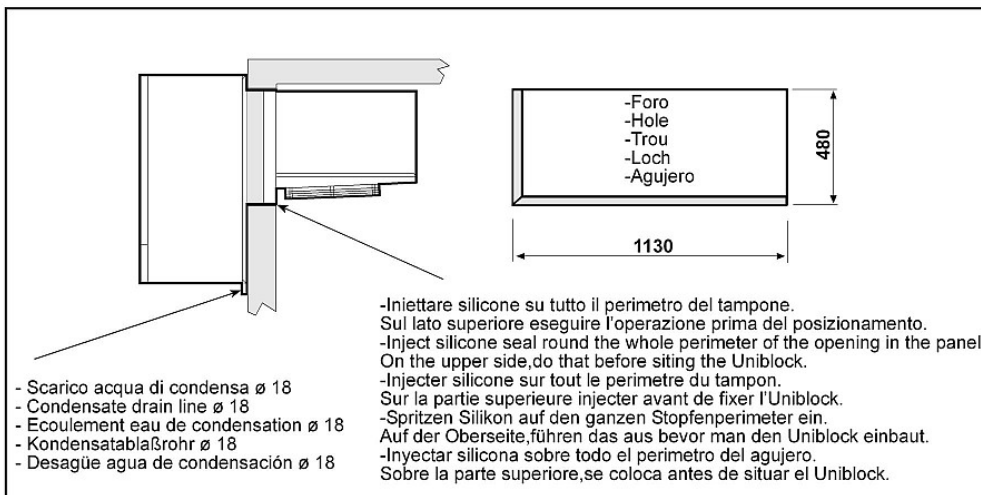


Dimensioni - Dimensions - Dimensions
Abmessungen - Dimensiones

AS235

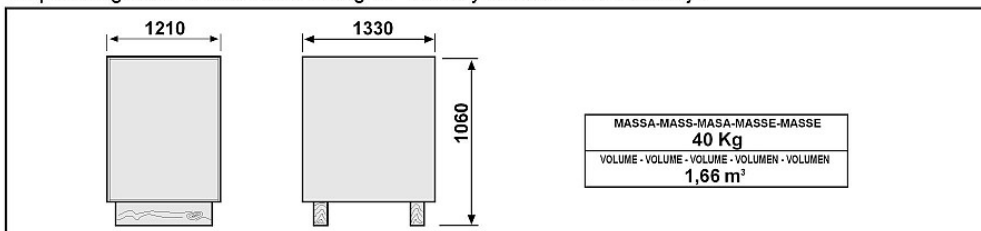


Schema di montaggio - Mounting scheme - Schema de montage
Montageschema - Esquema de montaje



- * Raccomandazioni in sede di installazione e per il controllo fornite sul manuale di installazione
- * To be advised at time of order for factory installation and operating instructions
- * Recommendations au moments d'installations et pour le contrôle fournis sur le manuel d'installation
- * Empfehlungen für die Installationsphase und zur Kontrolle, die im Handbuch zur Installation enthalten sind
- * Por cuanto respecta a recomendaciones de instalación y control ver manual de instalación

Massa e misure imballi - Packing mass and dimensions - Masse et dimensions emballages
Verpackungsmasse und-abmessungen - Masa y medidas del embalaje



ZANOTTI S.p.A.