

Model:  
**BAS235T19F**

Class:  
**Uniblock AS**



### Technical data

Characteristics	M.U.	Value
Working temperature	°C	-15 ÷ -25
Starting mode		Direct
Voltage	Volt-Ph-Hz	220/1/60
Refrigerant		R404A
Defrost		Hot gas
Mass	Kg	179
<b>Compressor</b>		
Type		Hermetic
Nominal power	kW	3,7
<b>Condenser</b>		
Air flow	m³/h	2700
<b>Evaporator</b>		
Air flow	m³/h	3900
Air throw	m**	10

### Power data

Tc °C	Ta °C	P watt	P Kcal/h	V120 m³	V100 m³	V80 m³
-15	20	6270	5392	112	100	87
	25	5834	5017	101	90	79
	30	5381	4628	90	80	70
	35	4908	4221	79	70	62
	40	4417	3799	68	61	53
-20	20	5147	4426	85	76	66
	25	4822	4147	77	69	60
	30	4487	3859	70	62	55
	35	4119	3542	61	54	48
	40	3700	3182	52	46	41
-25	20	4094	3521	61	54	48
	25	3860	3320	56	50	44
	30	3560	3062	49	44	38
	35	3223	2772	42	37	33
	40	2882	2479	36	32	28
	45	2565	2206	29	26	23

\*\* Use air throw as a base. Air throw is affected by many factors such as height of room, product storage, location of evaporator, etc.  
Tc: Coldroom temp. - Ta: External temp.  
P: Refrigerant capacity - V: Recommended cold-room volume



# XTCC

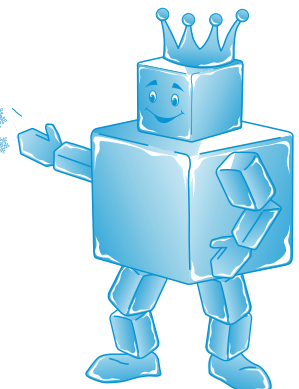
Xperts in Transportation Climate Control

*“Environmentally Friendly Solutions”*

**REFRIGERATION/HEATING/INSULATION  
SALES/SERVICE/INSTALLATION**

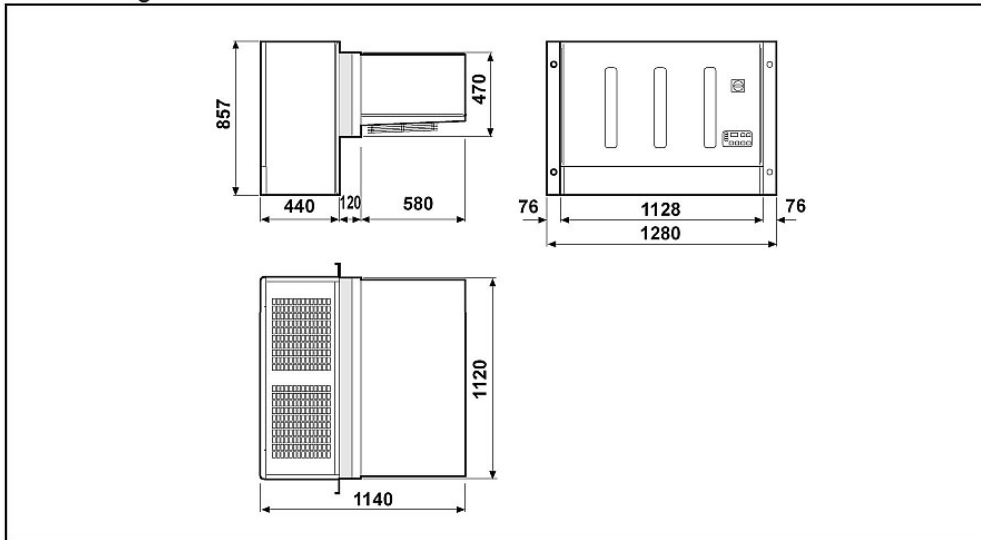
TEL : 905-362-2112 FAX : 905-362-2115  
6198 Netherhart Road, Unit 2 Mississauga, ON. L5T 2G7

[WWW.XTCC.CA](http://WWW.XTCC.CA)

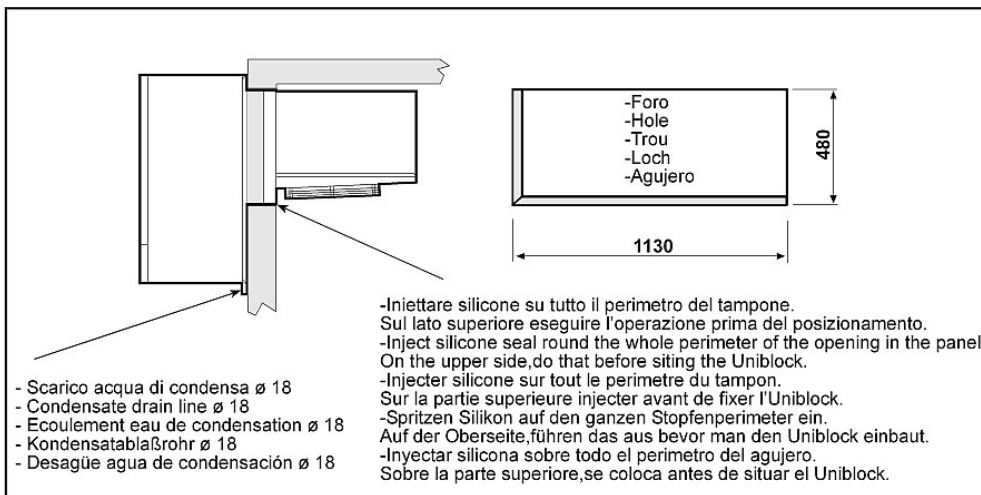


Dimensioni - Dimensions - Dimensions  
Abmessungen - Dimensiones

**AS235**

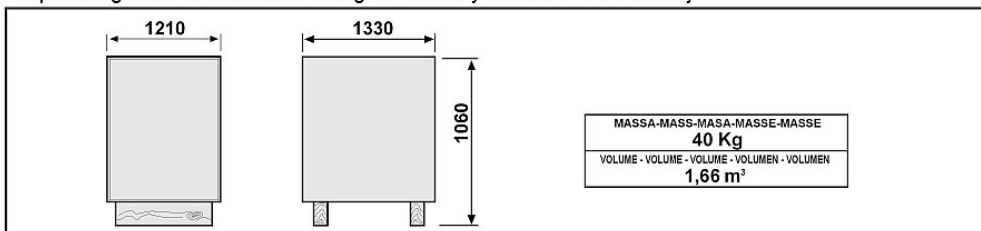


Schema di montaggio - Mounting scheme - Schema de montage  
Montageschema - Esquema de montaje



- \* Raccomandazioni in sede di installazione e per il controllo fornite sul manuale di installazione
- \* To be advised at time of order for factory installation and operating instructions
- \* Recommendations au moments d'installations et pour le contrôle fournis sur le manuel d'installation
- \* Empfehlungen für die Installationsphase und zur Kontrolle, die im Handbuch zur Installation enthalten sind
- \* Por cuanto respecta a recomendaciones de instalación y control ver manual de instalación

Massa e misure imballi - Packing mass and dimensions - Masse et dimensions emballages  
Verpackungsmasse und-abmessungen - Masa y medidas del embalaje



**ZANOTTI S.p.A.**