



Technical specifications

Version 60Hz 1.1



Model:

BGM320671F

Class:

Uniblock GM



Technical data

Characteristics	M.U.	Value
Working temperature	°C	-15 ÷ -25
Starting mode		Direct
Voltage	Volt-Ph-Hz	220/1N~/60
Rated input	kW*	1,5
Rated input	Amp*	8,6
Peak current	Amp	95
Max current	Amp	25,2
Refrigerant		R404A
Defrost		Hot gas
Mass	Kg	105

Compressor

Type		Hermetic
Nominal power	kW	1,5

Condenser

Air flow	m³/h	1500
----------	------	------

Evaporator

Air flow	m³/h	1800
Air throw	m**	10

* When normally running: -20 ÷ +30°C

** Use air throw as a base. Air throw is affected by many factors such as height of room, product storage, location of evaporator, etc.

Tc: Coldroom temp. - Ta: External temp.

P: Refrigerant capacity - V: Recommended cold-room volume

Power data

Tc °C	Ta °C	P watt	P Kcal/h	V120 m³	V100 m³	V80 m³
	20	3316	2852	44	39	34
	25	3087	2655	40	36	31
-15	30	2858	2458	35	31	27
	35	2632	2264	31	28	24
	40	2409	2072	26	23	20
	45	2189	1883	22	20	17
	20	2803	2411	34	30	27
	25	2596	2233	30	27	23
-20	30	2392	2057	26	23	20
	35	2192	1885	22	20	17
	40	1995	1716	19	17	15
	45	1803	1551	17	15	13
	20	2324	1999	25	22	20
	25	2142	1842	21	19	16
-25	30	1964	1689	18	16	14
	35	1791	1540	17	15	13
	40	1620	1393	14	12	11
	45	1451	1248	12	11	9,4



XTCC

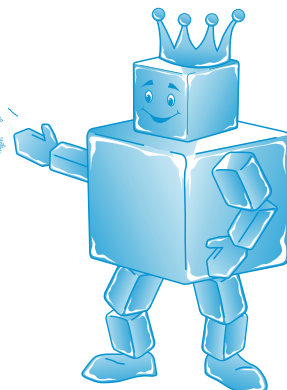
Xperts in Transportation Climate Control

"Environmentally Friendly Solutions"

**REFRIGERATION/HEATING/INSULATION
SALES/SERVICE/INSTALLATION**

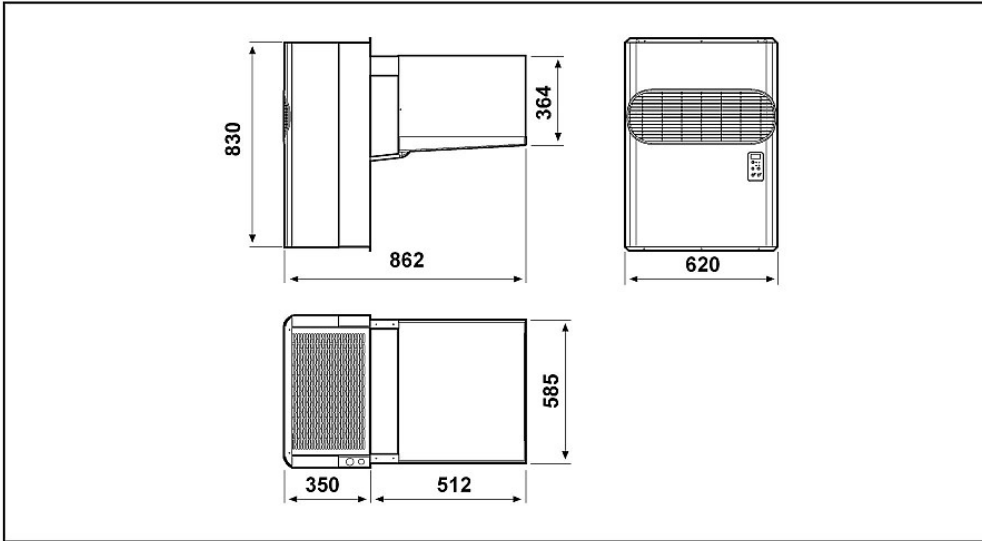
TEL : 905-362-2112 FAX : 905-362-2115
6198 Netherhart Road, Unit 2 Mississauga, ON. L5T 2G7

WWW.XTCC.CA

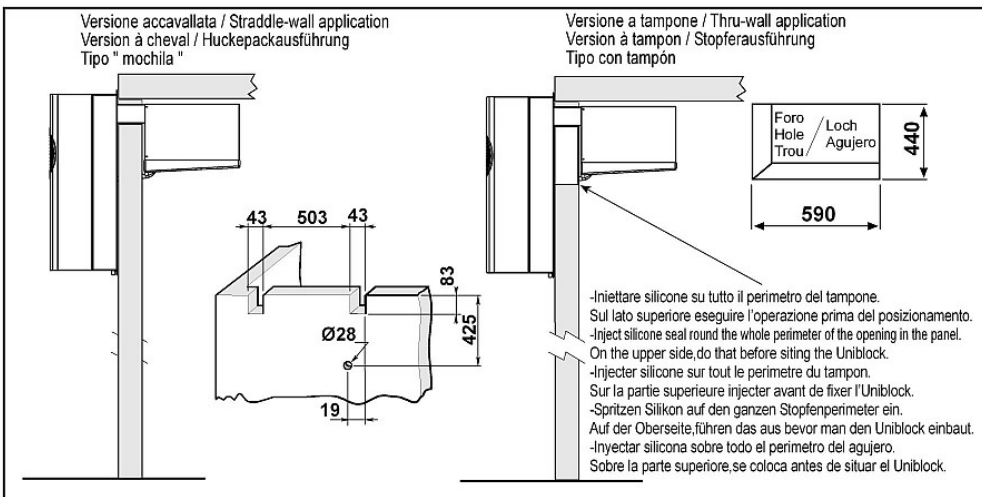


Dimensioni - Dimensions - Dimensions
Abmessungen - Dimensiones

GM3

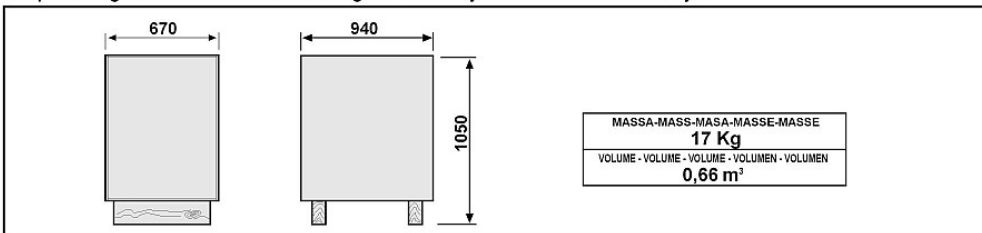


Schema di montaggio - Mounting scheme - Schema de montage
Montageschema - Esquema de montaje



- * Raccomandazioni in sede di installazione e per il controllo fornite sul manuale di installazione
- * To be advised at time of order for factory installation and operating instructions
- * Recommendations au moments d'installations et pour le contrôle fournis sur le manuel d'installation
- * Empfehlungen für die Installationsphase und zur Kontrolle, die im Handbuch zur Installation enthalten sind
- * Por cuanto respecta a recomendaciones de instalación y control ver manual de instalación

Massa e misure imballi - Packing mass and dimensions - Masse et dimensions emballages
Verpackungsmasse und-abmessungen - Masa y medidas del embalaje



ZANOTTI S.p.A.