



ZANOTTI Spa
 Via M.L. King, 30
 46020 - Pegognaga (MN) - ITALY
 Tel. +39 0376 5551
 Fax +39 0376 536554
 info@zanotti.com

Technical specifications

Version 60Hz 1.1

Model:

Class:

MSB125N17F

Uniblock SB



Technical data

Characteristics	M.U.	Value
Working temperature	°F	+45 ÷ +30
Starting mode		Direct
Voltage	Volt-Ph-Hz	230/1N~/60
Refrigerant		R404A
Defrost		Hot gas
Mass	lb	130
Compressor		
Type		Hermetic
Nominal power	Hp	0,6
Condenser		
Air flow	cfm	441
Evaporator		
Air flow	cfm	324
Air throw	ft**	13

Power data

Tc F	Ta F	P watt	P BTU/h	V 4" ft³	V 3" ft³
	70	1750	5977	530	482
	80	1633	5577	494	450
45	90	1522	5198	424	386
	100	1406	4802	388	353
	110	1284	4385	328	298
	70	1632	5574	494	450
	80	1507	5147	424	386
40	90	1399	4778	388	353
	100	1294	4419	335	305
	110	1185	4047	290	264
	70	1518	5184	424	386
	80	1395	4764	388	353
35	90	1295	4423	335	305
	100	1199	4095	297	270
	110	1091	3726	254	231
	70	1402	4788	388	353
	80	1285	4389	332	302
30	90	1194	4078	297	270
	100	1105	3774	258	235
	110	997	3405	219	199

** Use air throw as a base. Air throw is affected by many factors such as height of room, product storage, location of evaporator, etc.
 Tc: Coldroom temp. - Ta: External temp.
 P: Refrigerant capacity - V: Recommended cold-room volume



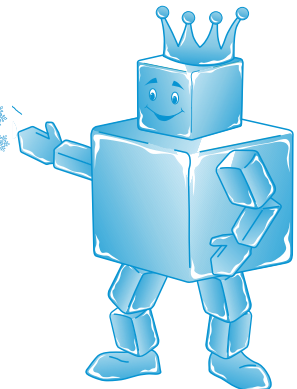
XTC

Xperts in Transportation Climate Control
"Environmentally Friendly Solutions"

**REFRIGERATION/HEATING/INSULATION
 SALES/SERVICE/INSTALLATION**

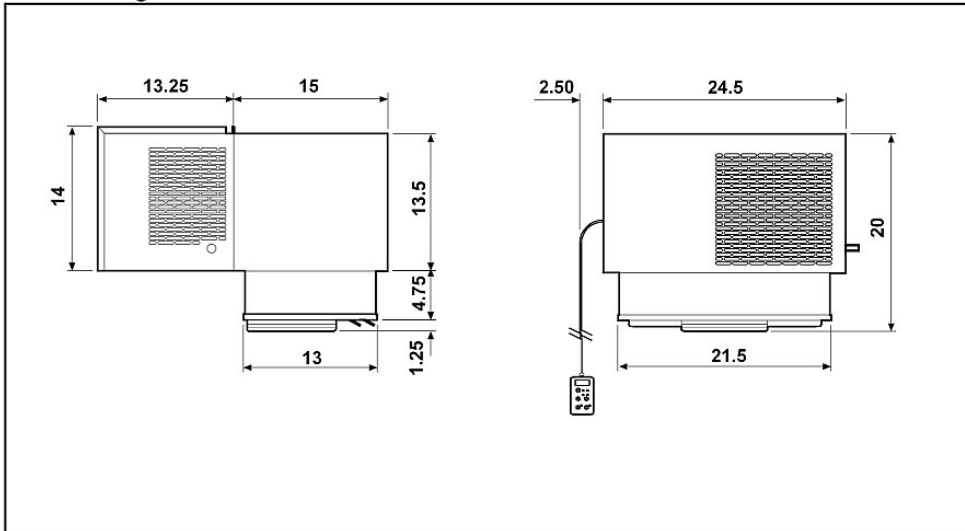
TEL : 905-362-2112 FAX : 905-362-2115
 6198 Netherhart Road, Unit 2 Mississauga, ON. L5T 2G7

WWW.XTCC.CA

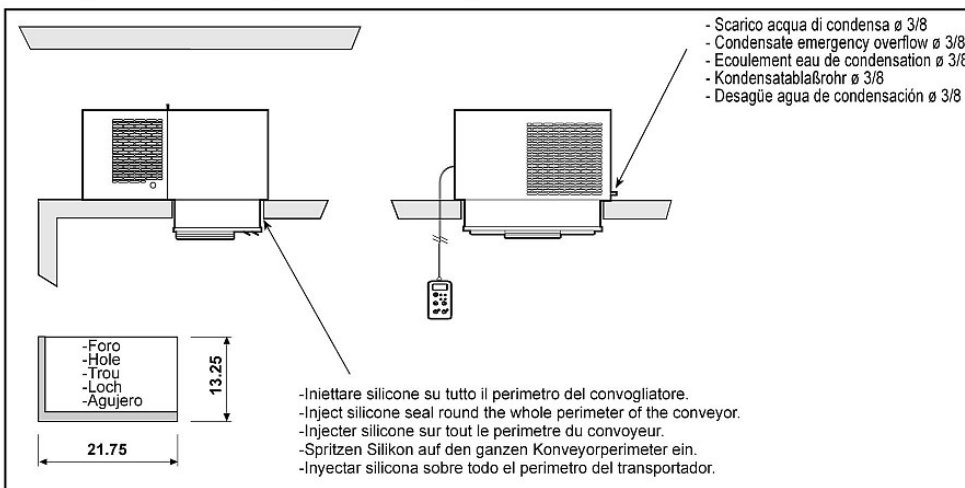


Dimensioni - Dimensions - Dimensions
Abmessungen - Dimensiones

SB125/ETL

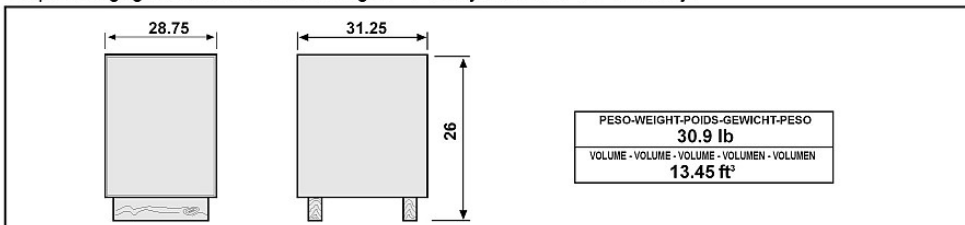


Schema di montaggio - Mounting scheme - Schema de montage
Montageschema - Esquema de montaje



- * Raccomandazioni in sede di installazione e per il controllo fornite sul manuale di installazione
- * To be advised at time of order for factory installation and operating instructions
- * Recommendations au moments d'installations et pour le contrôle fournis sur le manuel d'installation
- * Empfehlungen für die Installationsphase und zur Kontrolle, die im Handbuch zur Installation enthalten sind
- * Por cuanto respecta a recomendaciones de instalación y control ver manual de instalación

Peso e misure imballi - Packing weight and dimensions - Poids et dimensions emballages
Verpackungsgewicht und-abmessungen - Peso y medidas del embalaje



ZANOTTI S.p.A.